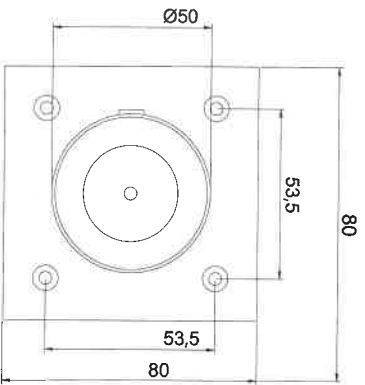
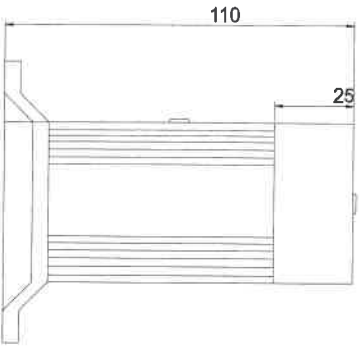


# Wall Mounted Door Holder

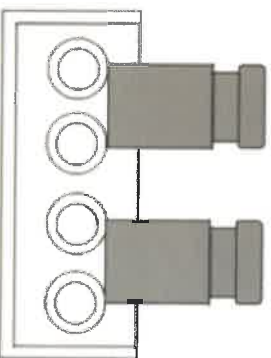


### Technical Parameters

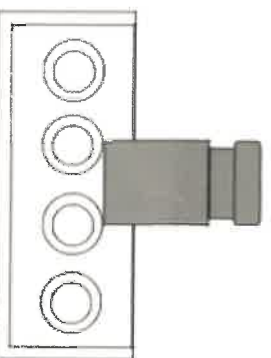
Input voltage :	DC12V/24V (Optional)
Working Current :	DC12V/170mA or DC24V/85 MA
Holding Force :	60kg (120Lbs) Straight-line pulling force
Operation Temperature :	0~55 °C
Operation Humidity :	0~95%
Weight :	0.85 kg

- Features:**
- Dual Voltage : DC12V/24V (optional)
  - Emergency release button or test button
  - Wall Mounted
  - Low-power design
  - Fail Safe Security Settings
  - Durable operation

### Wiring Diagram



DC12V



DC24V